

# TD-10R

## CRAWLER DOZERS

EPA Tier 3/EU Stage IIIA  
STANDARD, LGP

### ENGINE

	TD-10R
Make and model	Cummins QSB4.5
Emissions standard	EPA Tier 3/EU Stage IIIA
Displacement	4.5 l (275 in <sup>3</sup> )
Bore and stroke	102 x 137 mm (4.02 in x 5.42 in)
Gross horsepower, SAE J1995	82 kW (110 hp)
Net horsepower, SAE J1349/ISO 9249	76 kW (101 hp)
Rated rpm	2500
Max. torque	488 Nm (306 ft-lb) @ 1500 rpm
Air cleaner	2-stage, dry type with service indicator

### COOLING

	TD-10R
Type	suction- belt driven fan with perforated engine side sheets and heavy duty louvered front grill
Engine coolant rating	-37 deg C (-34 deg F)

### OPERATOR STATION

	TD-10R
ROPS	ROPS (ISO 3471 - 2008)
FOPS	FOPS (ISO 3449 - 2005)

### HYDRAULICS

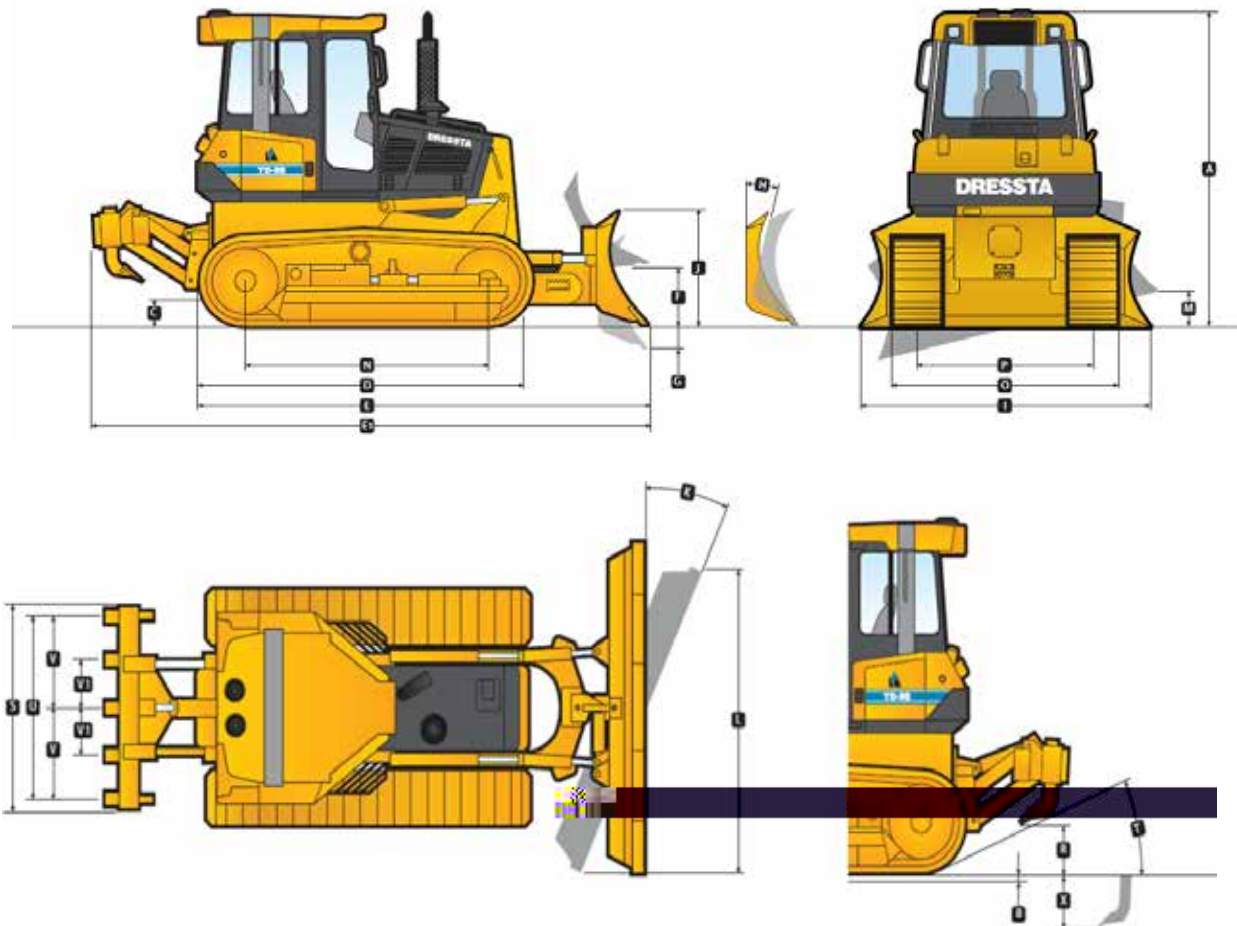
	TD-10R
Type	Open-center hydraulic system with fixed-displacement tandem-gear pumps
Pump displacement	75.2 l/min (19.9 gpm)
System relief pressure	15.5 MPa (2,250 psi)
Control	single joystick lever
Cylinders, bore and stroke	
lift	89 x 449 mm (3.5" x 17.7")
angle	89 x 352 mm (3.5" x 13.9")
tilt	89 x 144 mm (3.5" x 5.7")

### ELECTRICAL

	TD-10R
Voltage	12 V
Battery Capacity	815 CCA
Reserve Capacity	170 min.
Alternator Rating	105 A
Lights	front- ROPS or cab (2), rear (2)

# MACHINE DIMENSIONS

	<b>TD-10R</b>	<b>TD-10R LGP</b>
<b>Blade Type</b>	<b>6-WAY</b>	<b>6-WAY</b>
<b>A</b> Overall Height -Cab ROPS/FOPS	2.72 m (8 ft 11.2 in)	2.72 m (8 ft 11.2 in)
<b>B</b> Grouser height	53.6 mm (2.11 in)	53.6 mm (2.11 in)
<b>C</b> Ground clearance	381 mm (15 in)	381 mm (15 in)
<b>D</b> Overall length, base machine	3.10 m (10 ft 2 in)	3.10 m (10 ft 2 in)
<b>E</b> Length with Blade	4.48 m (14 ft 8 in)	4.48 m (14 ft 8 in)
<b>E1</b> Length with Blade and Ripper	4.97 m (16 ft 3.7 in)	4.97 m (16 ft 3.7 in)
<b>F</b> Blade Lift Height	0.87 m (34.2 in)	0.87 m (34.2 in)
<b>G</b> Blade Digging Depth	0.42 m (16.5 in)	0.42 m (16.5 in)
<b>H</b> Blade Cutting-Edge Angle, Adjustable	8 deg (52 to 60 deg)	8 deg (52 to 60 deg)
<b>I</b> Blade Width	2.97 m (9 ft 9 in)	3.05 m (10 ft)
<b>J</b> Blade Height	993 mm (3 ft 3 in)	993 mm (3 ft 3 in)
SAE Capacity	2.15 m <sup>3</sup> (2.81 cu yd)	2.21 m <sup>3</sup> (2.89 cu yd)
<b>K</b> Blade Angle	25 deg	25 deg
<b>L</b> Overall Width with Blade Angled	2.75 m (9 ft 0 in)	2.81 m (9 ft 3 in)
<b>M</b> Blade Tilt	0.44 m (17.3 in)	0.45 m (17.7 in)
<b>N</b> Track Length on Ground	2185 mm (86 in)	2270 mm (89 in)
<b>O</b> Width Over Track	2,190 mm (7 ft 2 in)	2,290 mm (7 ft 6 in)
<b>P</b> Track Gauge	1680 mm (66 in)	1680 mm (66 in)



# RIPPER

## TD-10R

### Heavy-duty parallelogram 5-shank ripper

Weight, complete (w/3 shanks)	510 kg (1120 lb)
Weight of Shank	9 kg (20 lb)
Shank positions (vertical)	2
<b>Q</b> Maximum Penetration	305 mm (12 in)
<b>R</b> Maximum Clearance Under Tip	422 mm (16.6 in)
<b>S</b> Overall Beam Width	1.44 m (4 ft 9 in)
<b>T</b> Slope Angle (full raise)	34 deg
<b>U</b> Ripping Width	1510 mm (4 ft 11.5 in)
<b>V / V1</b> Spacing Center to Center	343 mm (13.5 in)

## OPERATING WEIGHTS

	TD-10R	TD-10R LGP
Base Weight (with 6-WAY (blade, standard equipment, Cab ROPS/FOPS, full fuel tank, and 79-kg [175 lb] operator)	9525 kg (21000 lb)	9638 kg (21248 lb)
<b>Optional Components</b>		
Ripper w/3 shanks	510 kg (1120 lb)	

## SERVICEABILITY

	TD-10R
<b>Refill capacities</b>	
Fuel Tank	170 l (45 US gal)
Cooling System	18.5 (4.9 US gal)
Engine Oil	11 l (2.9 US gal)
Hydraulic Reservoir	70 l (18.5 US gal)
Final Drive, Each Side	15.1 l (4 US gal)

## UNDERCARRIAGE

	TD-10R	TD-10R LGP
<b>Suspension</b>	Rigid type	Rigid type
<b>Tracks</b>	large deep-heat-treated, sealed, and lubricated track links and through-hardened, sealed, and lubricated rollers for maximum wear resistance	large deep-heat-treated, sealed, and lubricated track links and through-hardened, sealed, and lubricated rollers for maximum wear resistance
Track Gauge	1680 mm (66 in)	1680 mm (66 in)
Track Shoe Width	508 mm (20 in)	610 mm (24 in)
Chain	Sealed and lubricated	Sealed and lubricated
Shoes, Each Side	39	40
Track Rollers, Each Side	6	6
Track Length on Ground	2185 mm (86 in)	2265 mm (89 in)
Ground Contact Area	22200 cm <sup>2</sup> (3440 sq in)	27700 cm <sup>2</sup> (4294 sq in)
Ground Pressure	40.8 kPa (5.9 psi)	33.1 kPa (4.8 psi)
Track Pitch	165 mm (6.5 in)	165 mm (6.5 in)

# POWERTRAIN

## TD-10R

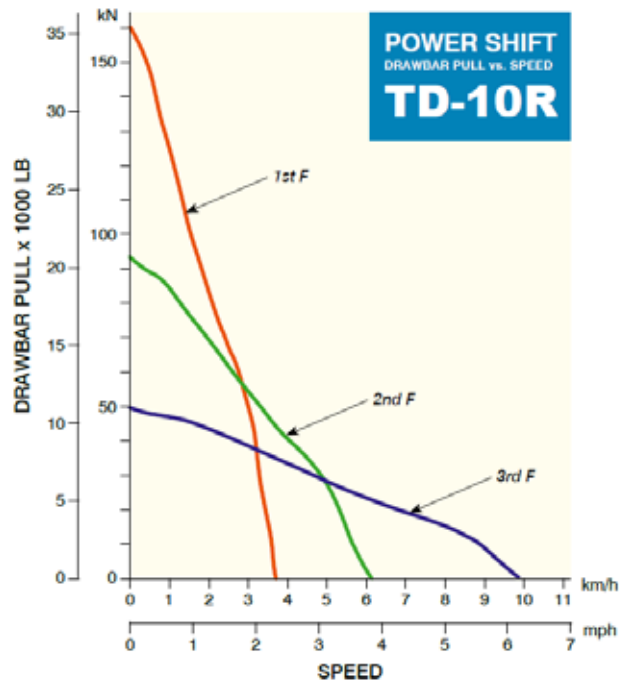
Transmission	Single stage 280 mm (11 in) torque converter with a 2.153:1 stall ratio drives to transmission through a double universal joint. Modular, countershaft type power shift transmission, electro-hydraulic control. Preset travel speed and auto-downshift.
Steering	Single stage planetary type, wet single disc steering clutches. Single disc, wet-type steering brakes. Steering clutches and brakes run in oil and are hydraulically actuated.
Final drives	Single stage spur-gear drive to sprockets.
Total ratio	8.1 to 1

### Travel speeds

Gear	Forward	Reverse
	km/h (mph)	km/h (mph)
1st	3.7 (2.3)	4.4 (2.7)
2nd	6.2 (3.8)	7.3 (4.5)
3rd	10.0 (6.2)	12.0 (7.4)
Maximum drawbar pull	158 kN (35519.8 lb)	

### Brakes

Service	Spring applied hydraulically released single-disc wet brakes. Foot pedal piloted control
Parking	The steering brakes also act as service and parking brakes. Service brakes are locked automatically when the transmission safety lever is actuated or when the engine is cut off.



# STANDARD EQUIPMENT TD-10R Extra

---

## ENGINE & COOLING

Engine, Cummins QSB4.5, Tier 3, emission certified, turbocharged, direct injection, 76 kW (101 fwhp)  
Air cleaner, dry type, with primary and safety elements and service indicator  
Antifreeze, -34°F (-37°C)  
Cooling module; includes radiator, transmission oil cooler and charge air cooler; isolation mounted  
Engine speed control knob, L.H. location  
Fan, blower  
Muffler, underhood with exhaust pipe and elbow  
Strainer, fuel  
Water separator, fuel system

---

## DRIVETRAIN

Torque converter, single stage  
Transmission, full power shift, 3 speeds forward, 3 reverse  
Steering, left hand single lever control (joystick with safety lever)

---

## OPERATOR'S ENVIRONMENT

Canopy ROPS/FOPS (SAE J1040, J231), with roof extension and roof headliner and mirror  
Seat, suspension type with adjustable arm rests  
Seat belt (SAE J386) - 3" wide, retractable  
Tools compartment  
Cup holder

---

## HYDRAULIC CONTROLS

Hydraulics, 3-spool valve, "T" control

---

## INSTRUMENTATION

Gauges: fuel level, coolant temperature, engine oil pressure, powertrain oil temperature, voltmeter, hourmeter  
Warning lights: transmission filter service indicator, air filter and hydraulic filter service indicator

---

## ELECTRICAL

Alarm, back-up, 2 level sound  
Alternator, 105 A  
Battery (1), 12 V, 960 CCA, maintenance free, cold start  
Horn electric  
Lights, 2 front, 1 rear, halogen type  
Starting, 12 V  
Starting aid - air grid heater

---

## GUARDS

Crankcase with pull hook, lights, radiator, transmission, rock deflector, fan, fuel tank bottom and back-up alarm  
Engine hood, solid  
Engine side doors, perforated  
Protection guard for fuel tank and fuel filler  
Radiator guard door, louvered

---

## UNDERCARRIAGE

Track adjusters, hydraulic  
Track chains, sealed & lubricated (LTS) with split master links, 39 links  
Track frame, 6 roller, 1680 mm (66") gauge, rigid type, lifespan lubricated rollers and idlers, front and rear chain guides  
Track frame covers  
Track shoes, 508 mm (20")  
Counterweights, front idler

---

## UNDERCARRIAGE (LGP)

Track adjusters, hydraulic  
Track chains, sealed & lubricated (LTS) with split master links, 39 links  
Track frame, 6 roller, 1680 mm (66") gauge, rigid type, lifespan lubricated rollers and idlers, front and rear chain guides  
Track frame covers  
Track shoes, 610 mm (24")  
Counterweights, front idler

---

## OTHER STANDARD EQUIPMENT

Filters, with "spin-on" elements, engine oil, fuel, power train, equipment hydraulic  
Hitch, retrieval  
Manuals, parts and operator's  
Power train diagnostic check panel with brake release port  
Rear access platform

# OPTIONAL EQUIPMENT TD-10R Extra

---

## BLADE EQUIPMENT

Standard Angle Dozer (6-way) (STD), 2.15 m<sup>3</sup> (2.81 yd<sup>3</sup>), inside arm with hydraulic tilt and angle (Blade width is 117")

Wide Angle Dozer (6-way) (LGP), 2.21 m<sup>3</sup> (2.89 yd<sup>3</sup>), inside arm with hydraulic tilt and angle (Blade width is 120")

---

## REAR MOUNTED EQUIPMENT

Ripper with 3 teeth, provision for 5 teeth. Includes 4-spool valve, 2-lever ("T" + single)

Deducts retrieval hitch.

Extra ripper tooth, complete with tip

---

## TRACK SHOES

610 mm (24 in) shoes, single grouser,

---

## OPERATOR'S ENVIRONMENT

Heater/pressurizer/defroster

Air conditioner/heater/pressurizer/defroster

For use with cab

- Defroster fan (1)
- Exterior mirrors (2 pcs)

Cab, ROPS/FOPS (ILOS) with sound suppression, wipers (4) and seat, washers, mirror, dome light and tinted safety glass

Includes seat for cab

---

## SCREENS

Screen, rear (required for winch application) For use with canopy ROPS

---

## GUARDS

Track roller guard, standard strength (STD), bolts to track guides

Track roller guard, full length (STD), 1 piece heavy duty type, includes track chain guides

Track roller guard, standard strength (LGP) Bolts to track guides

Track roller guard, full length (LGP) 1 piece heavy duty type, includes track chain guides

Perforated hood (blower fan recommended) (ILOS)

---

## ADDITIONAL OPTIONS

1000 h maintenance package (filters and fire extinguisher)

1500 h maintenance package (filters and fire extinguisher)

2000 h maintenance package (filters and fire extinguisher)

Resonator, exhaust (ILOS)

Replaces standard exhaust pipe

Lowers exhaust noise level and modulates exhaust tone

Vandalism protection kit, for use with canopy ROPS.

Includes instrument panel guard with padlock;

padlocks for hydraulic tank, engine hood access, L.H. and R.H.

engine side enclosures and battery box.

Vandalism protection kit, for use with cab.

Includes padlocks for hydraulic tank, engine hood access,

L.H. and R.H. engine side enclosures and battery box.

---

## EXPORT PACKING

Export packing, uncrated, roll-on / roll-off

Export packing, containerized unit

---

## SFR

Trimble Ready

Factory preinstalled hydraulics, harness and brackets for the Trimble Grade Control System components

Maintenance tool kit, 17 items in a metal box

Beacon light, rotating